

BA3-15, BA3-35 Angle Brackets



Description:

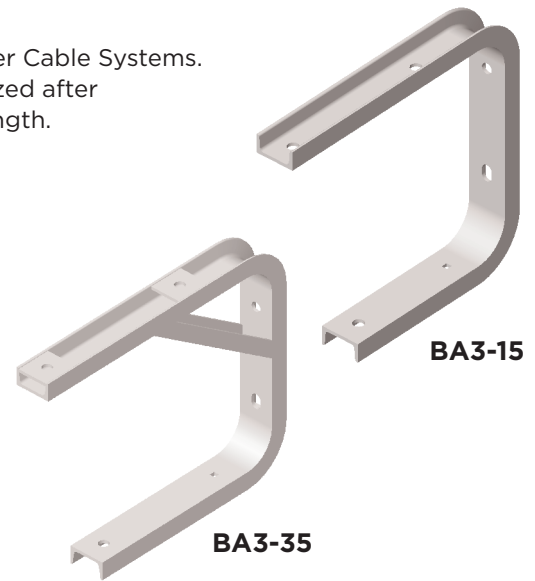
The BA3-15 and BA3-35 are angle brackets used with Hendrix Spacer Cable Systems. The brackets are formed using 3.0" channel and are hot dip galvanized after fabrication. The BA3-35 includes welded gussets for maximum strength.

Benefits:

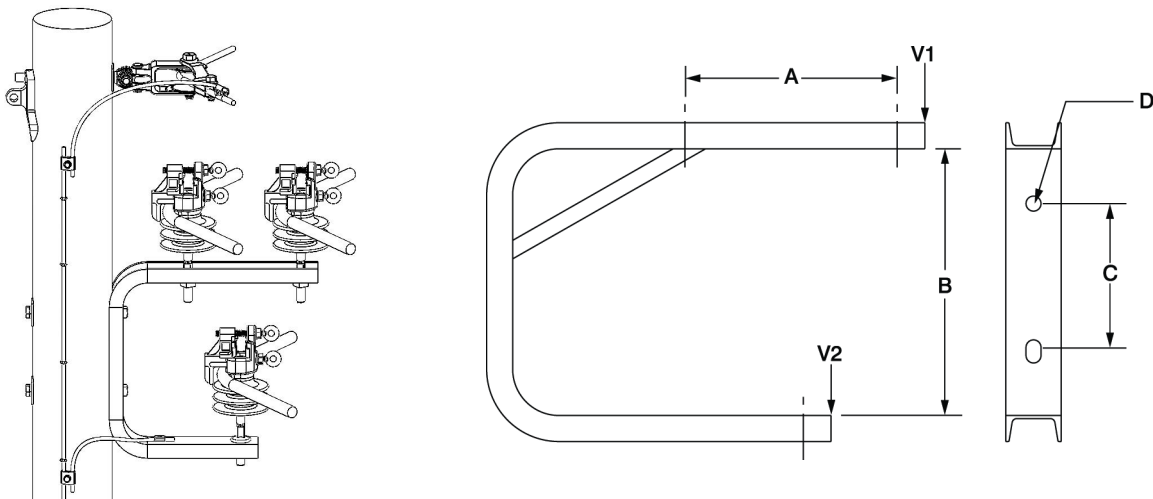
- Maintains the triangular configuration of the phase conductors.
- Simple, compact alternative to crossarm angle construction
- 8.0" mounting hole spacing conforms to standard pre-drilled poles for ease of installation
- Ground Lug Provision

Application:

Pole mounting is accomplished using thru-bolts (not included).



Part Number	System Voltage	Line Angle	Conductor Size	Insulator(s)	Insulator Pin Length (in)	2IP Insulator Plate
BA3-15	15kV	7° - 60° 61° - 90°	All All	HPI-15, HPI-15VT HPI-15, HPI-15VT	7 7	Not Required Required
BA3-35	25kV	7° - 44°	All	HPI-25, HPI-25VT	7	Not Required
		45° - 60°	Below 336.4	HPI-25, HPI-25VT	7	Not Required
		45° - 60° 61° - 90°	336.4 and larger All	HPI-25, HPI-25VT HPI-25, HPI-25VT	7 7	Required Required
35kV	7° - 44°	All	HPI-35, HPI-35VT	7	Not Required	
	45° - 60°	Below 336.4	HPI-35, HPI-35VT	7	Not Required	
	45° - 60° 61° - 90°	336.4 and larger All	HPI-35, HPI-35VT HPI-35, HPI-35VT	7 7	Required Required	



Part Number	System Voltage	Dimensions (in)				Min. Yield Load (lbs)		Weight (lbs)	Material
		A	B	C	D	V1	V2		
BA3-15	15kV and below	11.5	16.5	8	13 ¹ / ₁₆	950	1,200	19.4	HDG ASTM A-36 Structural Steel
BA3-35	46kV and below	13.5	16.5	8	13 ¹ / ₁₆	1,700	1,000	28.0	HDG ASTM A-36 Structural Steel