

Description

Designed for 15-46kV (phase-phase) distribution voltage, the RTL-GO95DM is a three phase spacer used in Hendrix Spacer Cable Systems. Mounted on a messenger wire, the RTL-GO95DM will support the phase conductor in a diamond configuration below the messenger. The RTL-GO95DM includes a messenger suspension clamp that fastens on the messenger and is a pivot point to hang a spacer vertically. This spacer uses ratcheting clamps to secure the conductors. Hendrix spacers are molded using a proprietary gray track resistant and UV resistant high density polyethylene material.

Benefits

- ◆ Designed for easy and efficient installation or replacement
- ◆ Increased phase spacing for additional leakage distance requirements
- ◆ Integral ratcheting clamps secure our full range of phase conductor sizes
- ◆ Metal clamp for secure fastening to messenger
- ◆ Optimum dielectric compatibility with Hendrix Spacer Cable
- ◆ Molded from proprietary gray track resistant and UV resistant high density polyethylene material
- ◆ Excellent weather washing characteristics
- ◆ Long leakage distance resists flashovers
- ◆ Phase spacing minimizes voltage drop
- ◆ Highly resistant to shock/impact/rifle fire
- ◆ Suitable for high contamination areas
- ◆ GO95 compliant

Application

Use the RTL-GO95DM in three phase distribution systems rated up to and including 46kV, phase to phase. The spacer will provide greater phase spacing than the RTL-46 for applications where extra leakage distance is desired. Typical applications are for steep grade (greater than 20°) in which the messenger suspension clamp swivels to allow the spacer to hang vertically from an angled messenger wire. Also designed for long span applications to prevent spacer from moving on the messenger. Fasten the conductor with the ratcheting clamp. Mount spacers at 30 foot intervals.

To eliminate swaying at poles, use the lower hole on the backside of the spacer for Anti-Sway Brackets (BAS-24F, supplied separately).

RTL-GO95DM

Technical Specifications

Electrical Values

Minimum Leakage Distance (in): 28
Maximum System Voltage (kV): 46
Short Circuit Rating (kA): 20*

Dimensions

Max. Messenger Size (in): 0.750
Max. Conductor Size (in): 2.0
Overall Dimensions (in): 36-3/4 x 23 x 3-1/4

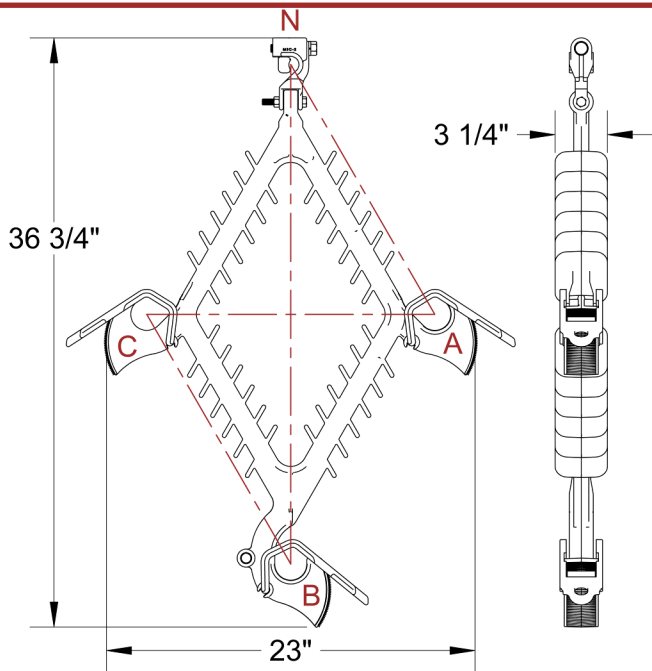
Other

Weight (lbs): 5.5
Material: High Density Polyethylene

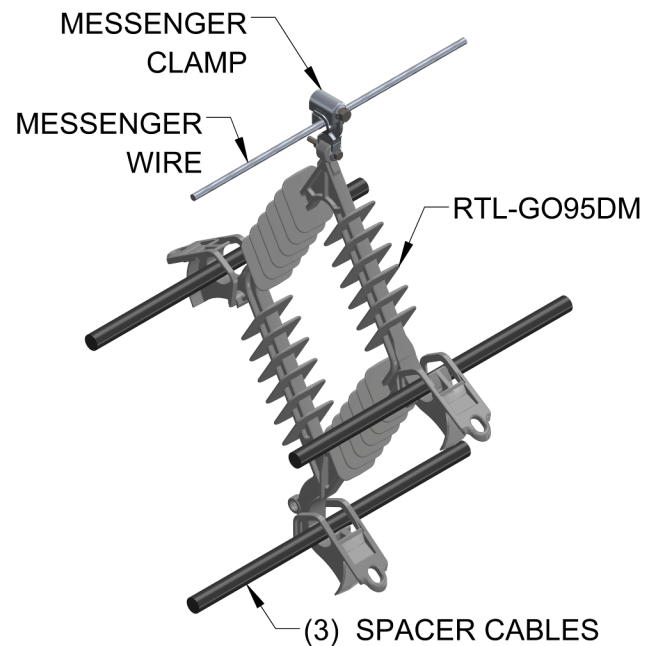
Additional Information

- ◆ *Calculated values for short circuit rating
- ◆ Reduce spacer intervals to 25'-0" when supporting 954 kcmil or larger cable size

Dimensions



Application



Catalog No	Phase Spacing (in)			
	AN	AC	BC	BN
RTL-GO95	18	18	18	32