



Description

Designed for distribution voltages up to 46kV, the BV-35 is a vertical tap/angle pole bracket used with Hendrix Spacer Cable Systems. Mounted on a pole, the BA4-35 will support and separate the phase conductors in a vertical configuration. This bracket is formed steel channel and hot dipped galvanized after fabrication.

Benefits

- ◆ Vertical phase conductor orientation maintains a compact configuration for lateral primary taps
- ◆ Simple, compact alternative to crossarm angle or tap construction
- ◆ Ground lug provision

Application

Use the BV-35 bracket on primary lateral taps in distribution systems rated up to and including 46kV. This bracket can also be used on tangents or angles pole applications where a vertical configuration of the phase conductors is desired.

Mount to the pole with two (2) - 5/8" thru-bolts (not supplied). Messenger wire should be secured at least 28" above the bracket's top bolt. Use Short Shank Insulator Pins (supplied separately) when applying Hendrix Vise Top polyethylene insulators.

System Application

Bracket Type: Vertical Tap
Bracket Shape: "E"
Maximum System Voltage (kV): 46
Line Angle (degrees): 0-90

Dimensions

Overall Dimensions (in): 40-1/2 x 17-1/2 x 3

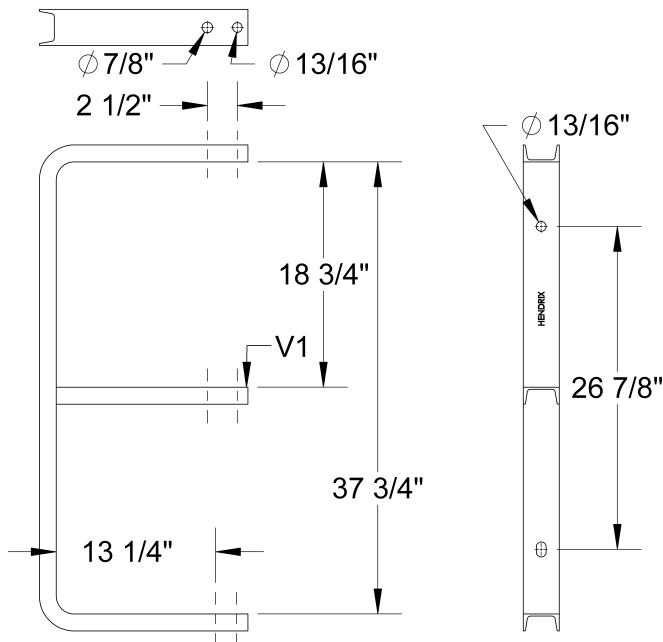
Other

Material: Structural Steel
Finish: HDG
Weight (lbs): 31.50

Additional Information

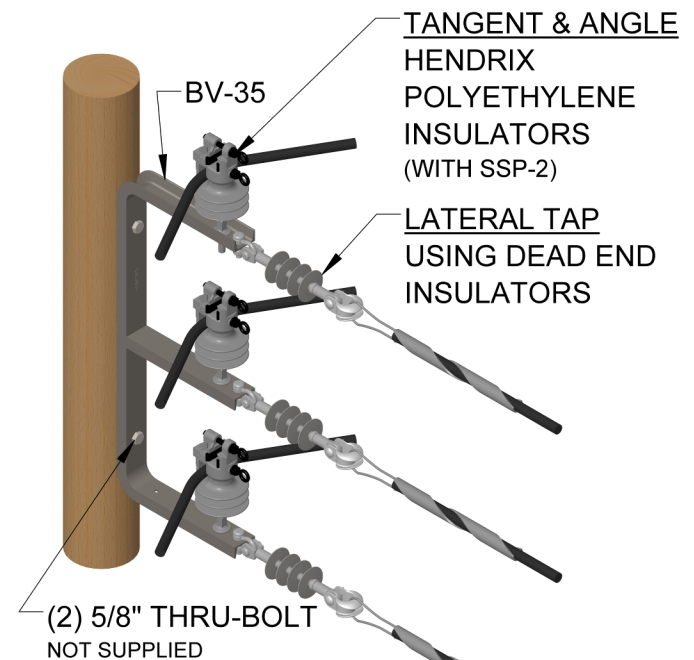
- ◆ 2IP plates may be required for certain line angle and cable size configurations. Refer to table below for specifications.

Dimensions



Maximum Capacity (lbs)	
Vertical	
V1	
850	

Application



kV Class	Line Angle	Conductor Size	2IP Insulator Plate
15	7° - 60°	#2 AWG-1431 kcmil	Not Required
	61° - 90°	#2 AWG-1431 kcmil	Required
25-46	7° - 45°	1/0 AWG-1431 kcmil	Not Required
	46° - 60°	1/0 AWG-266 kcmil	Not Required
	46° - 60°	336 kcmil-1431 kcmil	Required
	61° - 90°	1/0 AWG-1431 kcmil	Required