

## Description

Designed for 15-46kV distribution voltage, the BD-35 is a dead end pole bracket used in Hendrix Spacer Cable Systems. Mounted on a pole, the BD-35 will support and separate the phase conductors in a triangular configuration. This bracket is formed steel channel with a perpendicular angle and hot dipped galvanized after fabrication.

## Benefits

- ◆ The triangular configuration of the phase conductors improves the system shielding compared to crossarms
- ◆ Simple, compact alternative to crossarm dead ends
- ◆ 8" mounting hole spacing conforms to typical spacing used in pre-drilled poles
- ◆ Ground lug provision

## Application

Use the BD-35 bracket on dead end poles in distribution systems rated up to and including 46kV. Mount to the pole with two (2) - 5/8" thru-bolts (not supplied). Messenger wire should be secured at least 9" above the bracket's top bolt. The bracket should be applied along with Dead End Insulators (supplied separately).

When pin insulators are required, use Hendrix Vise-Top Polyethylene Insulators and Short Shank Insulator Pins for the conductors (supplied separately).

# BD-35

## Technical Specifications

### System Application

**Bracket Type:** Dead End  
**Bracket Shape:** "C"  
**Maximum System Voltage (kV):** 46  
**Line Angle (degrees):** 0

### Dimensions

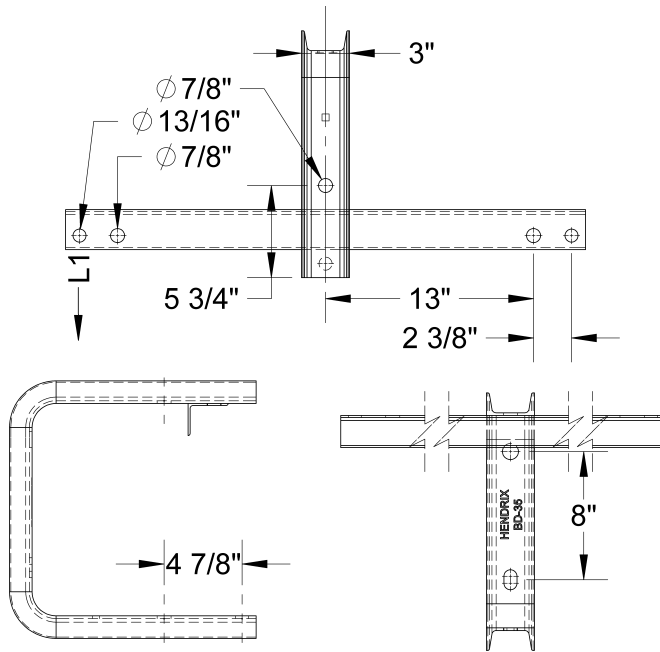
**Overall Dimensions (in):** 16 x 32-1/2 x 3

### Other

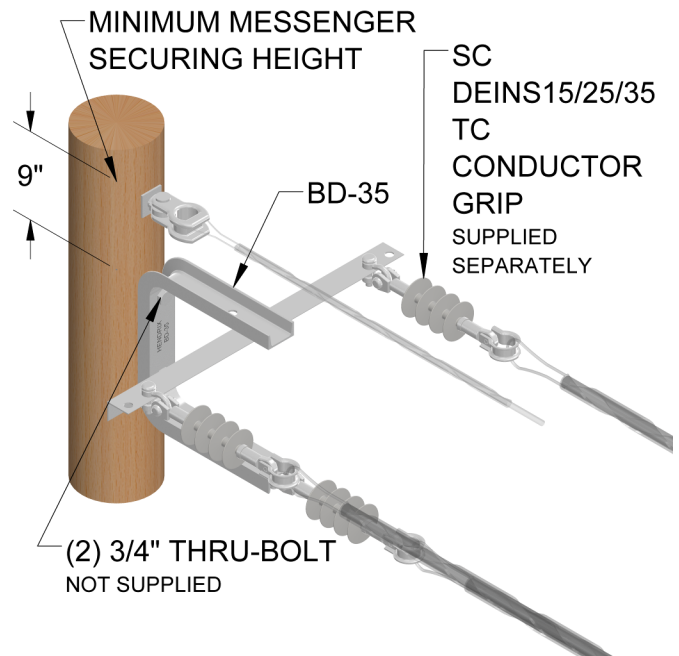
**Material:** A-36 Carbon Steel  
**Finish:** HDG  
**Weight (lbs):** 23.50

## Additional Information

### Dimensions



### Application



Catalog No	Maximum Capacity (lbs)
	Longitudinal
BD-35	L1 1000