

## Description

Designed for 15kV distribution voltage, the BAS-14S is an anti-sway bracket used in Hendrix Spacer Cable Systems. This bracket is mounted below a tangent bracket and to the backside of an spacer to stabilize the spacer movement at a tangent pole. The BAS-14S will secure the bottom of the spacer with a molded Clevis Pin (supplied). Hendrix anti-sway brackets are molded using a proprietary gray track resistant high density polyethylene material.

## Benefits

- ◇ Reduces excessive swinging of the Spacer Cable System.
- ◇ Stabilizes the spacer at equipment tap poles.
- ◇ Minimizes flexing of the transformer lead wire and stress on connections.
- ◇ Compatible in both single and three phase Hendrix Spacer Cable systems.

## Application

Use the BAS-14S Anti-Sway bracket on tangent poles (line angles 0-6) in distribution up to 15kV. Anti-sway brackets are used to stabilize spacers when there are tap connections to the conductors. Mount the bracket to the side of the pole. The spacer must be installed on the messenger approx. 4" - 6" away from the tangent bracket. Fasten to the pole with one 1/2" lag bolt (not supplied). Secure the bottom of the spacer to the anti-sway bracket with the provided molded clevis pin.

# BAS-14S

Technical Specifications

## System Application

**Bracket Type:** Anti Sway  
**Bracket Length:** 18.5"  
**Maximum System Voltage (kV):** 15  
**Line Angle (degrees):** 0-6

## Dimensions

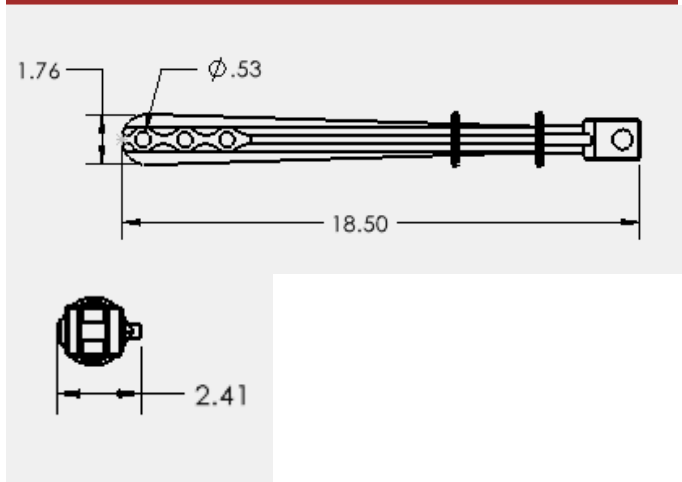
**Overall Dimensions (in):** 18.5 x 1.76 x 2.41

## Other

**Material:** High Density Polyethylene  
**Weight (lbs.):** 0.68

## Additional Information

### Dimensions



### Application

