

## Description

Designed for distribution voltages up to 46kV, the BA4-35 is an angle pole bracket used in Hendrix Spacer Cable Systems. Mounted on a pole, the BA4-35 will support and separate the phase conductors in a diamond configuration. This bracket is formed steel channel and hot dipped galvanized after fabrication. Welded gussets on the BA4-35 increase the bracket's strength.

## Benefits

- ◆ Top arm of bracket accepts Hendrix messenger angle clamps
- ◆ Compact diamond configuration of the messenger and phase conductors improves the system shielding compared to the pole mounted messenger clamp
- ◆ Simple, compact alternative to crossarm angle construction
- ◆ Ground lug provision

## Application

Use the BA4-35 bracket on angle poles (line angles 7-60°) in distribution systems rated up to and including 46kV. Mount to the pole with three (3) - 3/4" thru-bolts (not supplied by Hendrix). Messenger wires are secured on the top arm of this bracket using the appropriate angle clamp (supplied separately). Conductors are secured on the middle and bottom arms using Hendrix Vise-Top Polyethylene Insulators and Short Shank Insulator Pins (supplied separately).

# BA4-35

## Technical Specifications

### System Application

**Bracket Type:** Angle  
**Bracket Shape:** "E"  
**Maximum System Voltage (kV):** 46  
**Line Angle (degrees):** 7-60

### Dimensions

**Overall Dimensions (in):** 42 x 26-3/4 x 3

### Other

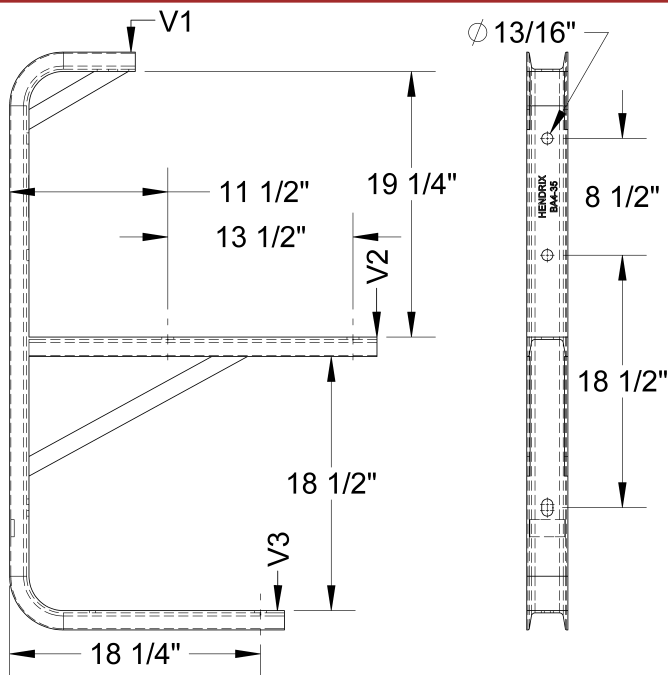
**Material:** A-36 Carbon Steel  
**Finish:** HDG  
**Weight (lbs):** 36.00

### Additional Information

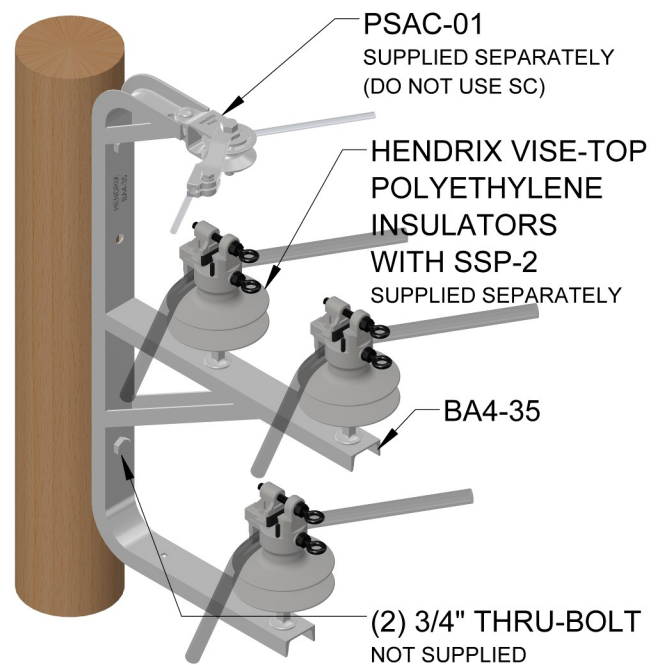
- Typical messenger securing options:  
 Line Angle <60° - PSAC  
 Inside Line Angle <60° - CMA-2 w/ UB-HD

- 2IP plates may be required for certain line angle and cable size configurations. Refer to table below for specifications.

### Dimensions



### Application



Catalog No	Maximum Capacity (lbs)		
	Vertical		
	V1	V2	V3
BA4-35	4100	1700	1000

kV Class	Line Angle	Conductor Size	2IP Insulator Plate
15	7° - 60°	#2 AWG-1431 kcmil	Not Required
	61° - 90°	#2 AWG-1431 kcmil	Required
25-46	7° - 45°	1/0 AWG-1431 kcmil	Not Required
	46° - 60°	1/0 AWG-266 kcmil	Not Required
	46° - 60°	336 kcmil-1431 kcmil	Required
	61° - 90°	1/0 AWG-1431 kcmil	Required

R02